

K2006 Swivel Faucet

Application:
Bar Sink
Bathroom Sink
Kitchen Sink
Kitchen Island Sink
Lavatory Sink
Medical & Office Sink

Finish: Chrome-PVD, Satin Nickel-PVD

Cinaton



Satin Nickel-PVD



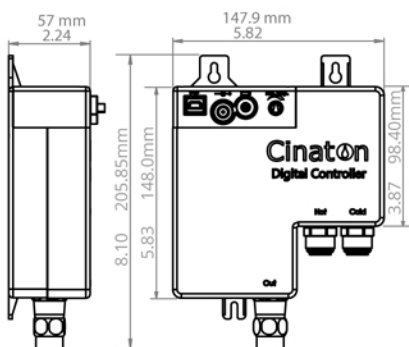
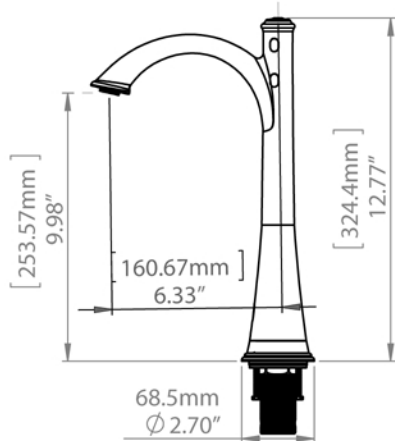
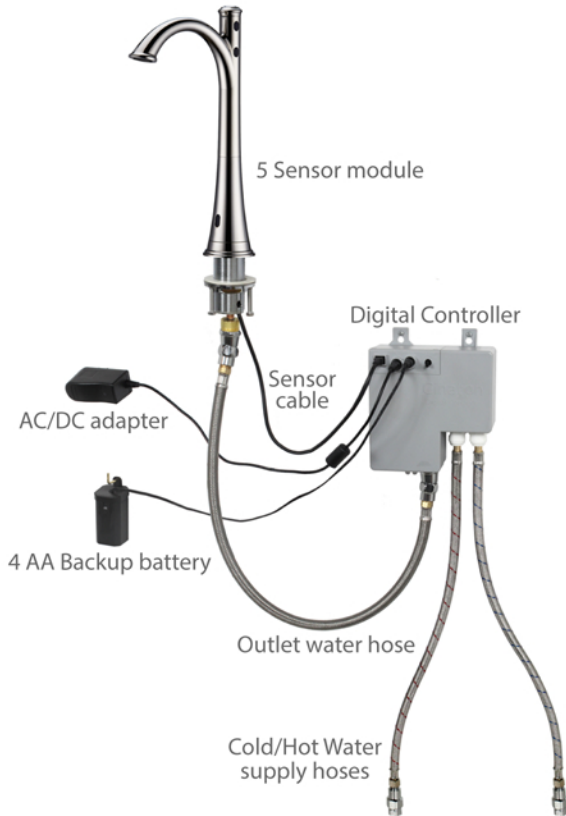
Chrome PVD

Model: K2006
5 Sensor Completely Touch Free
Swivel Kitchen Faucet

Cinaton

The faucet for a changing world

14014 Gannet Street, Santa Fe Springs, CA 90670
Phone: (855) 348-8080 www.cinaton.com



Product Description:
K2006 Touch Free Swivel Kitchen Faucet

Standard Specification:

- Cinaton iSense® completely touch free technology
- No handle, no touch, no germ
- 5 infrared sensors perform complete faucet function
- Easy operation without touching faucet
- Integrated design for easy installation
- Intermittent water flow for 70% water saving
- Patented "Pause" function of easy sensor for working in sink area
- Three user-defined Preset setting for your convenience
- Full function water temperature and flow control
- Simple, clean, stylish design
- Maximum temperature setting for ADA compliance.
- No scalding risk for any age (children, elderly and the disabled).
- Includes Digital Controller. Cold and hot water supply hoses.
- Max flow rate 2.2 gpm (8.3 L/min)
- Swivel spout
- 120/240 AC/DC 6 volt adapter included.
- 4 AA Backup battery for continuous use during electric power outage.
- Single hole mount for less counter clutter and easy operation.
- Solid brass construction for durability
- Mounting bracket 1-3/8" Ø
- Finish: Chrome-PVD and Satin Nickel-PVD
- 5 year limited warranty against manufacturer defects

Operation:

- Cinaton iSense® completely touch free operation
- Spout rotates 150 degree

Applicable Codes & Standards:

- NSF61-9
- ASME A112.18.1/CSA 125.1
- ADA for no touch operation
- Contains no more than 0.25% lead by weight (AB1953)
- Water sense

NOTE: THIS FAUCET IS DESIGNED TO BE INSTALLED
THRU 1 HOLE, 1-1/2" (38mm) MIN. DIA.



K2006 Swivel Kitchen Faucet

5 Sensor Completely Touch Free

Parts List

- 11. faucet body CP-PVD (730005), SN-PVD (730006)
- 12. aerator (721103) - 2.2 GPM
- 13. (722001) mounting pipe 1-3/8" Ø
- 14. (722011) rubber washer
- 15. (722021) metal washer
- 16. (722031) mounting bracket
- 17. (722034) mounting screw (x3)

- 21. (721312) 1/2" x 3/8" universal joint
- 22. 24" spout water outlet hose 3/8" (720006)
- 24. 1/2" spout water inlet connector
- 25. (721303) 1/2" x 3/8" universal joint
- 26. (721304) cold water inlet quick connector
- 27. (721304) hot water inlet quick connector

- 41. sensor (ABDE:755021) (C: 755023)
- 42. (705035) sensor cable
- 44. (750001) AC/DC adapter
- 46. (750101) 4 AA backup battery box

- 71. (710000) Digital Controller
- 72. sensor cable input port
- 73. AC/DC 6 V input port
- 74. 4 AA DC backup battery input port
- 75. maximum temperature adjusting knob
- 76. (722035) battery box mounting L-shape screw
- 77. (722036) controller mounting screw (x3)
- 78. (750110) 4 AA backup battery

- 81. (720002) 24" cold water supply hose 3/8"
- 82. cold water supply shut off valve (not included)
- 83. (720001) 24" hot water supply hose 3/8"
- 84. hot water supply shut off valve (not included)
- 85. (721301) 3/8" x 1/2" check valve adapter housing
- 86. (721201) check valve
- 87. (721202) strainer
- 88. (721302) 1/2" x 3/8" adapter for 3/8" shut off valve
- 89. (721203) water supply washer 3/8"

